

Overseas Accessories Vision Standard Booth Package

Booth equipments included in participation fee for 9 sqm (3m x 3m) are as follow:
(Facilities will be multiplied according to your booth size)

- Complete booth construction
- Wall-to-wall carpet
- Fascia board with company name, booth number & country
- 3 Sample racks*
- 3 Shelves*
- 1 Lockable Cabinet
- 1 table and 3 chairs
- 1 LED Lights
- 2 White lights (150W White light source)
- 1 Electrical socket (5A/220V,500W)
- Booth cleaning & security
- Listing in visitor guide
- Participation in Trend Forum
- Visitor e-invitation
- PR & marketing support

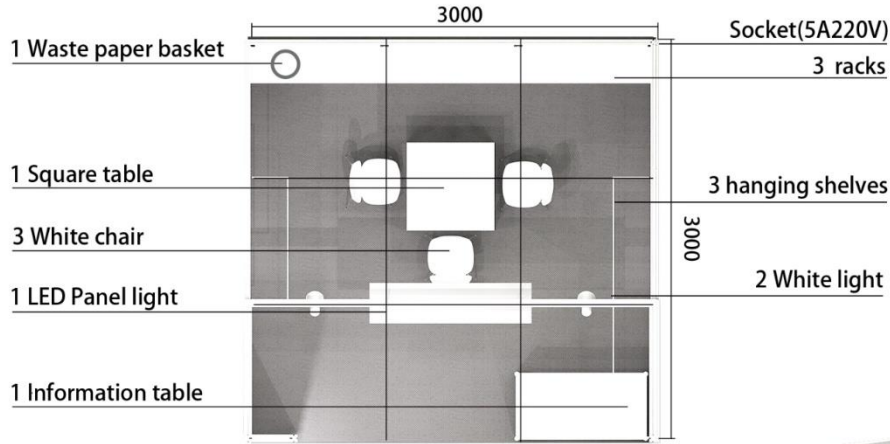
Standard Items

Booth Size	Table	Chair	Lockable Cabinet	Sample Rack*	Shelf*	LED Panel Lights	500W	Waste Paper Basket	White light
9 sqm	1	3	1	3	3	1	1	1	2
12 sqm	1	4	1	4	4	1	1	1	2
15 sqm	1	5	1	5	5	1	1	1	3
18 sqm	2	6	2	6	6	2	2	2	4
21 sqm	2	7	2	7	7	2	2	2	4
24 sqm	2	8	2	8	8	2	2	2	4
27 sqm	3	9	3	9	9	3	3	3	6
30 sqm	3	10	3	10	10	3	3	3	6
33 sqm	3	11	3	11	11	3	3	3	6
36 sqm	4	12	4	12	12	4	4	3	8

Standard booth design

3m x 3m = 9 sqm

- The Organiser reserves the right to change the configuration if necessary.
- The color of booth may be different from the drawing below. The Organiser will send the final booth design by separate email at a later stage.
- Please contact our Official Contractor (Accessories Vision), Beijing Display Image Planning Co., Ltd. for exact measurements of the stand



- Configuration:
- One information table
 - Three white chairs
 - One Square table
 - One waste paper basket
 - Three hanging shelves
 - Three racks
 - One LED Panel light
 - Two white light
 - One socket